

Product Information Table												
Product	Volume (L)	Empty Weight (kg)	Dimensions (mm)									
			'A'	'B'	'C'	'D'	'E'	'F'	'G' SEE NOTE 7	'H'	'J'	'K'
STH028	2800	165	3020	600	Ø600	Ø1225	500	530	Ø110	1630	1130	1100
STH038	3800	185	3900	600	Ø600	Ø1225	500	530	Ø110	1620	1120	1090
STH048	4800	195	3775	750	Ø600	Ø1425	500	530	Ø110	1830	1330	1300
STH057	5700	205	4275	750	Ø600	Ø1425	500	530	Ø110	1830	1330	1300
STH071	7150	280	3230	675	Ø600	Ø1920	500	550	Ø160	2290	1790	1740
STH091	9150	325	3965	675	Ø600	Ø1920	500	550	Ø160	2290	1790	1740

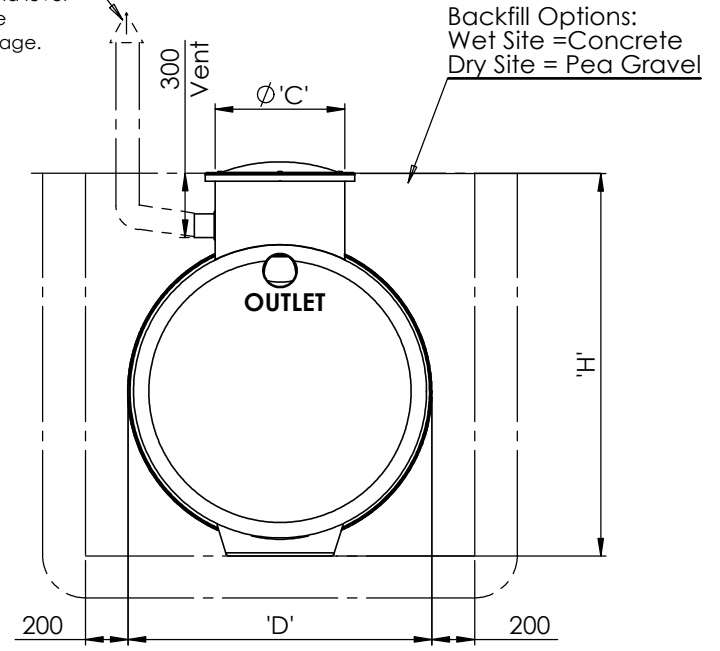
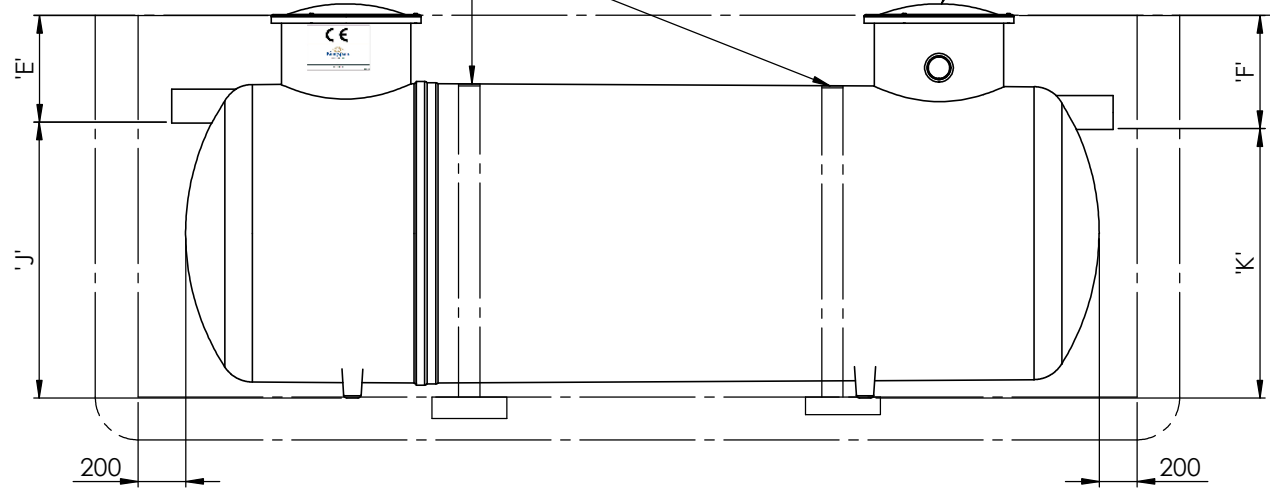
- Notes:**
1. Tanks have an inlet invert depth of 0.5m as standard. Upon request this may be extended up to 1.5m via neck GRP riser pieces.
 2. This drawing should be used for dimensional information only. Refer to installation guidelines for full tank installation.
 3. Additional ventilation can be achieved on the incoming drain, via a stack pipe. Position to suit specific site conditions.
 4. Confirm with local building regulations if additional venting is required.
 5. If backfilling with peashing the tank must be strapped down using suitable anchoring points and strapping (by others).
 6. Product is tested and approved to EN 12566-1 (99.7% Efficiency).
 7. STH028, 038, 048 & 057 Available with Ø160mm pipework, this is not as tested, and base to inlet invert, base to outlet invert and overall height will reduce by 40mm.


Vent Stack (Others)

Ensure vent pipe installation has a fall from ground level to the unit to enable condensation drainage.

Strapping + Anchor Points for Pea Gravel Backfill (by others)

Insulated Covers



Issue	Date	Drawn by	Approved by	Description	Material : Various	Tolerance :	Drawing : DS1335 STH Shallow Dig Septic Tank Range - Norway
02	01/03/18	W.DYER		CC1422	Finish :	Thickness : n/a	
01	30.08.17	WMD		CC1393 - Initial Issue	Weight : 193.23 Kg Kgs	Surface Area :	
All dimensions in mm				Scale: Not to scale			
Page 1 of 1							